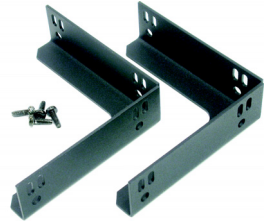


## TPA-CH-012 Multicharger Wall-Mounting Kit Installation Instructions



### Introduction

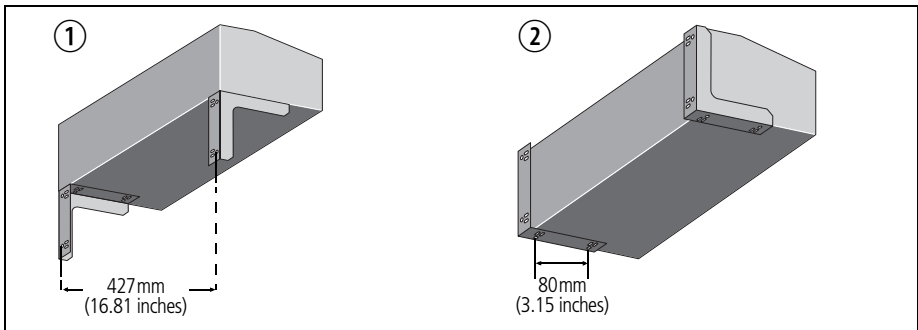
Use a Tait wall-mounting kit (TPA-CH-012) to wall mount a Tait 6-way multicharger (TPA-CH-011 or T03-00013-xxxx). The kit consists of two mounting brackets and four mounting screws.



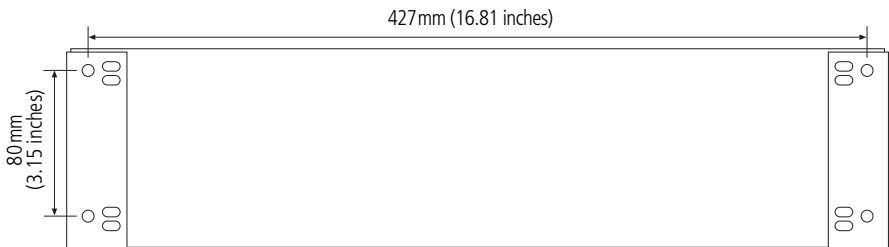
### Mounting Configurations

The 6-way multicharger can be wall-mounted either:

- secured on top of the mounting brackets (shown in diagram ①), or
- seated in the mounting brackets (shown in diagram ②).



The following diagram shows the spacing of the mounting holes.



# Selecting the Mounting Position

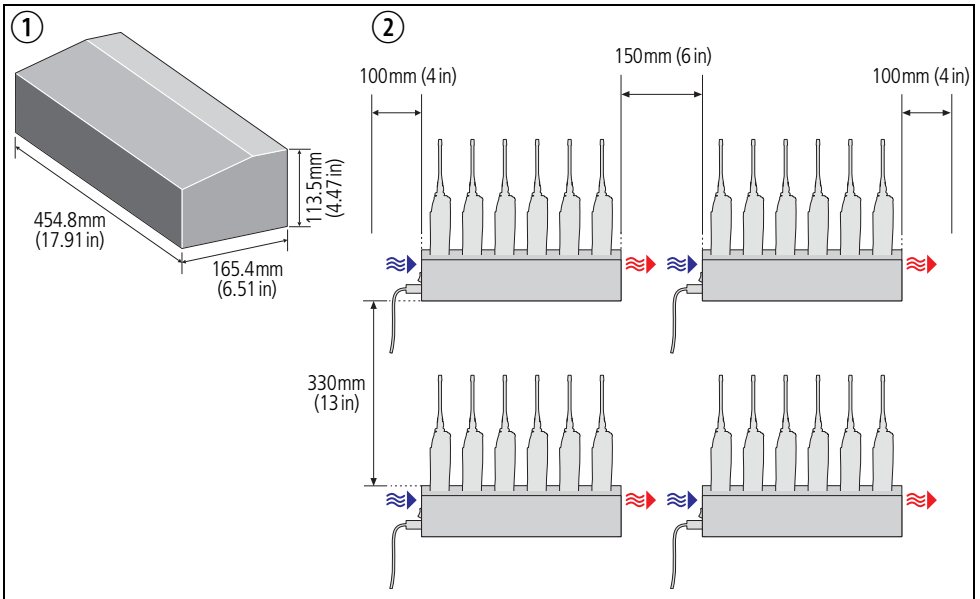
When selecting a mounting position, care must be taken to allow sufficient airflow around the following areas:

- Allow a minimum of 100mm (4 inches) around the power plug, switch access and cold air intake, on the left of the multicharger.
- Allow a minimum of 150mm (6 inches) around the hot air vent, on the right of the multicharger.

## Mounting multiple multichargers together

When a number of multichargers are wall-mounted in close proximity, they must be mounted so that there is sufficient airflow between and around multichargers to provide cooling.

The dimensions of the multicharger are shown in diagram ① and the minimum distances required between multichargers are shown in diagram ②.



## More Information

Refer to your radio provider for more information about this product.