

## Introduction

The TMAA10-02 handset provides the user with privacy and also improves the audio quality in noisy environments. The handset uses a dynamic microphone capsule, therefore control heads must support dynamic microphone operation. For example, TMAA02-06 (support kit for dynamic microphones) must be fitted to TMAC20-0T.

When your radio receives a call and the handset is mounted in its locking cradle, the radio unmutes and you can hear the call from your radio's internal speaker and from any connected remote speaker.

If you remove the handset from its cradle when you receive a call, the radio unmutes and you can hear the call from your radio's internal speaker, from any connected remote speaker and from the handset earpiece.

Using private handset mode, the radio's internal and external speakers are muted and the call can only be heard from the handset earpiece.



## Installation

### Installing the TMAA02-06 Support Kit for Dynamic Microphones

Install this kit if necessary – refer to the TMAA02-06 installation instructions provided with the TMAA02-06 kit.

### Handset Wiring

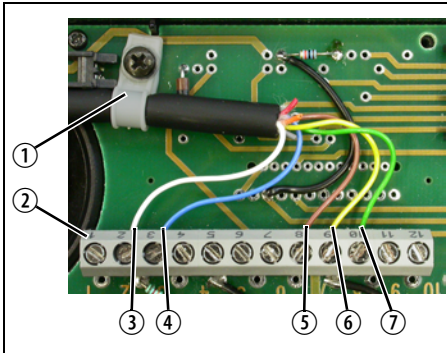
The circled numbers in the following instructions refer to items in the diagram on the following page.

1. Drill a hole in the chosen mounting surface for the radio to handset cord and pass the cord through the hole.
2. Prepare the radio to handset cord, as follows.
  - Cut the radio to handset cord to the required length.
  - Strip away about 60 mm (2 inches) of the cable outer sheath on the end without a connector.
  - Cut off the exposed orange, red, black and bare wires.
  - Strip about 6 mm (0.2 inches) of the coating off each of the five remaining wires.

- Secure the radio to handset cord in the handset PCB P-clip ①, as shown in the diagram below.
- Connect the five wires to the handset PCB connector ②.

### Handset PCB connector wiring

Handset PCB Connector	Colour	Reference
2	white or violet	③
3	blue	④
8	brown	⑤
9	yellow	⑥
10	green	⑦



### Handset Installation

- Press the pushbutton and remove the handset from the locking cradle.
- Disassemble the locking cradle by removing the four locking cradle screws.
- Screw the handset mounting plate to the required mounting surface. Note that mounting screws are not provided in this kit.
- Clamp the top part of the locking cradle onto the mounting plate, and secure it with the four locking cradle screws.

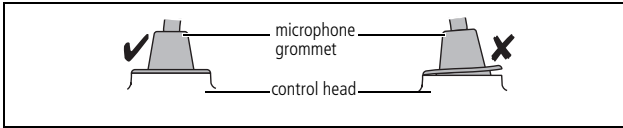
### Connecting the Handset to the Radio



**Important:** The handset microphone grommet must be installed whenever the handset to radio cord is plugged into the microphone socket. When installed, the grommet has two functions:

- to prevent damage to the microphone socket when there is movement of the microphone cord, and
- to ensure that the control head is sealed against water, dust and other environmental hazards.

- Plug the microphone cord into the microphone socket on the radio control head.
- Slide the grommet along the cord and push two adjacent corners of the grommet into the microphone socket cavity.
- Squeeze the grommet and push the remaining corners into position.
- Check that the grommet is seated correctly in the cavity (see the diagram on the next page).

**Correct desktop microphone grommet seating**

## Radio Programming

### Dynamic Microphone Support

Dynamic microphone support must be enabled in the UI Preferences form of the radio's programming application, so that audio is optimized for dynamic microphones. Refer to the online help of the programming application for more information.

#### Handset settings in the UI Preferences form (TM8100 Programming Application)

Field	Setting	Selected/Cleared
Audio Setup	Enable Options Board Preamp	selected

#### Handset settings in the UI Preferences form (TM8200, TM9000/TP9000 Programming Applications)

Field	Setting	Selected/Cleared
Audio tab > Audio Setup	Dynamic Mic Support	selected

### Private Handset Mode

If private handset mode is required, the radio needs to be programmed to mute the audio power amplifier when the handset is out of the cradle. The audio path is then only through the RX AUDIO line to the handset earpiece.

The following table shows the settings required in the Programmable I/O form of the radio's programming application. Refer to the online help of the programming application for more information.



**Note:** If private handset mode is programmed, then no audio will be heard from the speakers if the handset is unplugged.

#### Handset settings in the Programmable I/O form

Pin	Direction	Label	Action	Active	Debounce	Signal State	Mirrored To
CH_GPIO1	Input	None	Force Audio PA Off	High	25	None	None

